

Product information sheet BLANCO CULINA-S II Sensor

Item no. 527462

Benefits



- Iconic mixer tap combining exquisite design with semi-pro functionality
- Manual or hands-free operation with ingenious dual sensor technology integrated in the hose arm and tap body for optimized kitchen workflows
- Wave sensor on the tap body activates hands-free operation for a range of washing chores
- Hands-free sensor on the spray arm starts automatically fast-filling with cold water of pots and jars
- Wall plug and integrated battery backup (power outage protection)

Colours



Available colours:

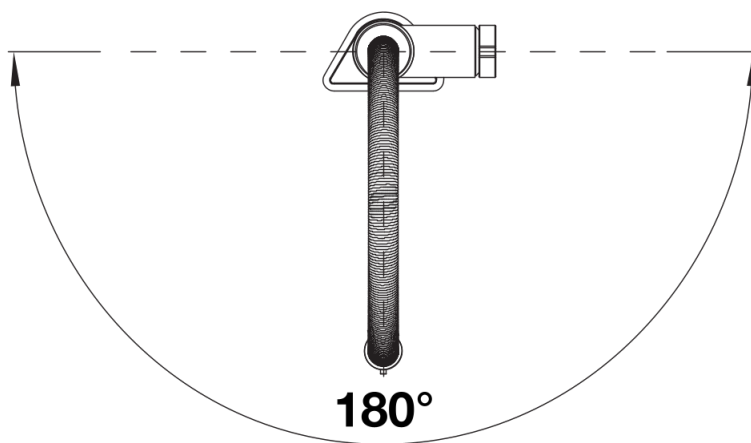
PVD steel

PVD PVD steel

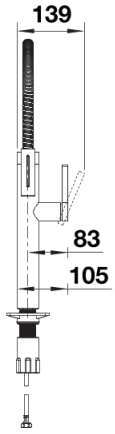
Scope of supply

- 180° swivel spout for greater reach
- Ø 35 mm tap hole required
- Easy and fast professional installation with BLANCO Lock
- Prepared for connection to 230V with mains unit
- Battery backup and batteries included
- With electronic cartridge and valve box
- Clear stream aerator
- Spray made of metal
- Magnetized handspray holder for ease of use
- Metal-sheathed spray hose
- Flexible connector pipes, 950 mm long and $\frac{3}{8}$ " nut
- Stabilisation plate to increase the stability of the tap when fitted in stainless steel sinks
- With non-return valve and thus guaranteed against reflux in accordance with EN 1717

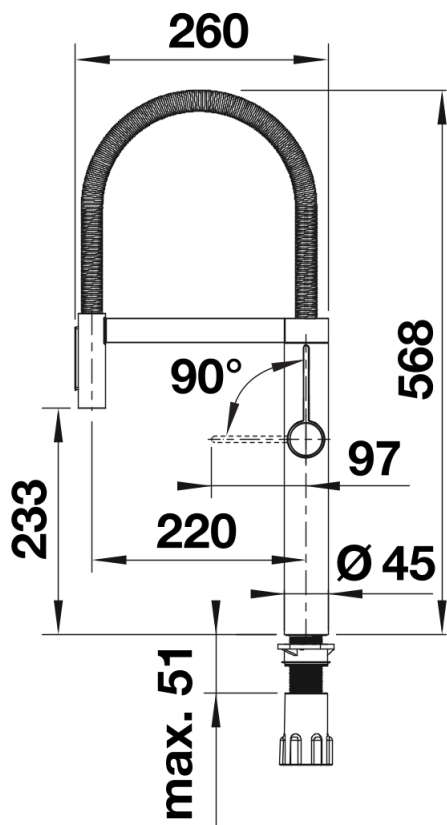
Details



Swivel range



Side view hand gear 2D



Side view