

Product information sheet ZIA 8 S

Item no. 515605

Benefits



- Modern design with clear lines
- Straight-lined outer contour emphasised by the narrow rim
- Characteristic tap ledge as a frame that enlarges the drainer
- Spacious double bowl sink with drainer provides a high degree of comfort
- Classic bowl arrangement for reversible installation

Colours



Available colours:

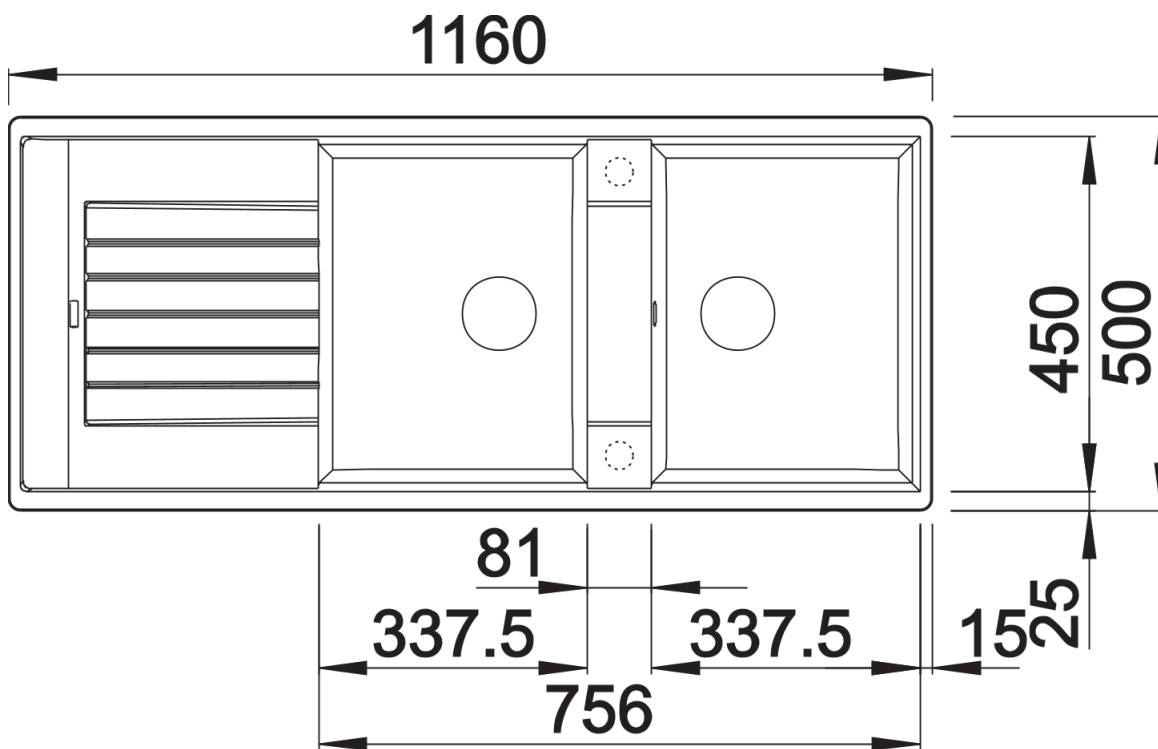
- black
- anthracite
- volcano grey
- white
- soft white
- coffee

SILGRANIT anthracite

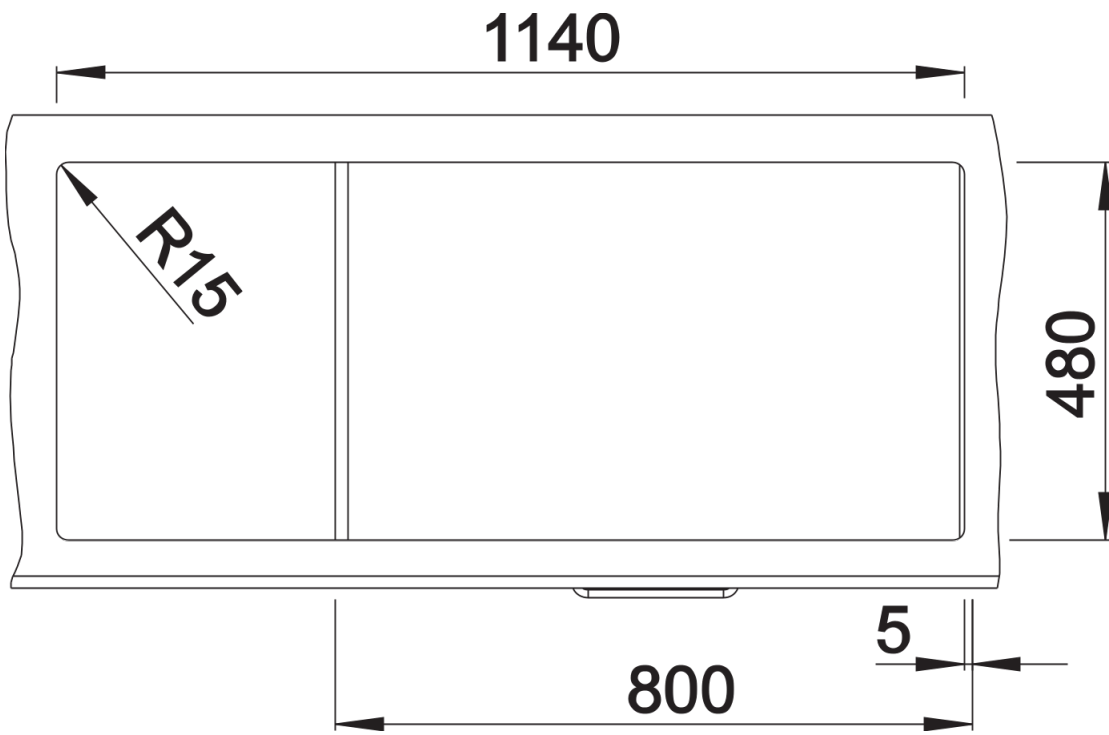
Scope of supply

- waste kit with space-saving pipe
- 2 x 3 ½" basket strainer

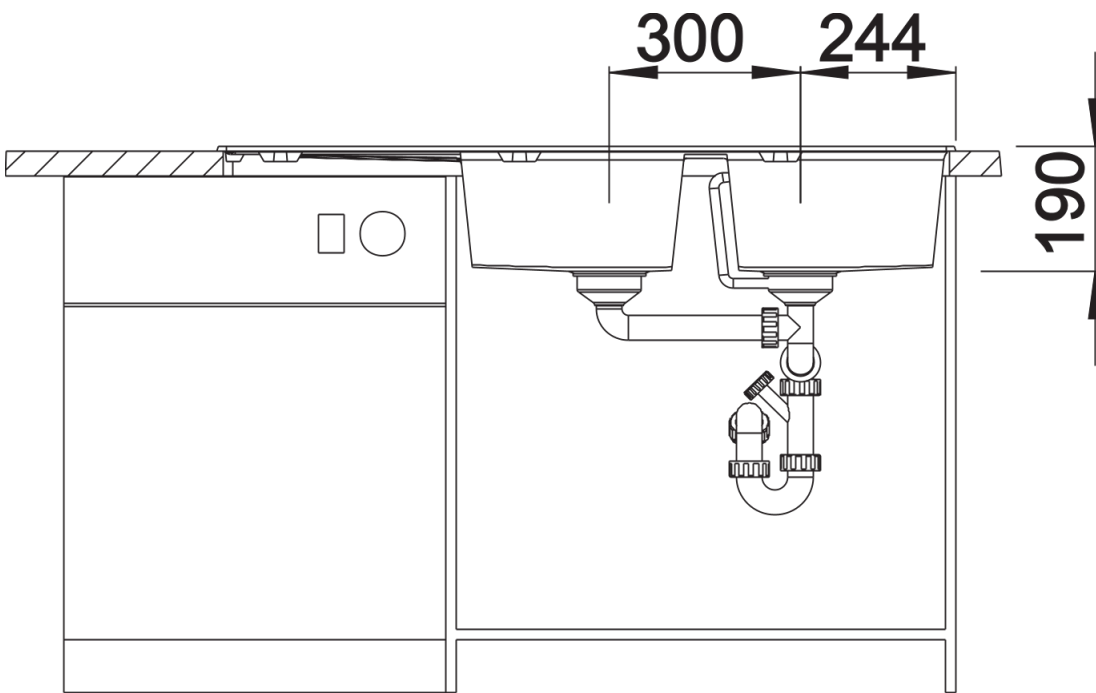
Details



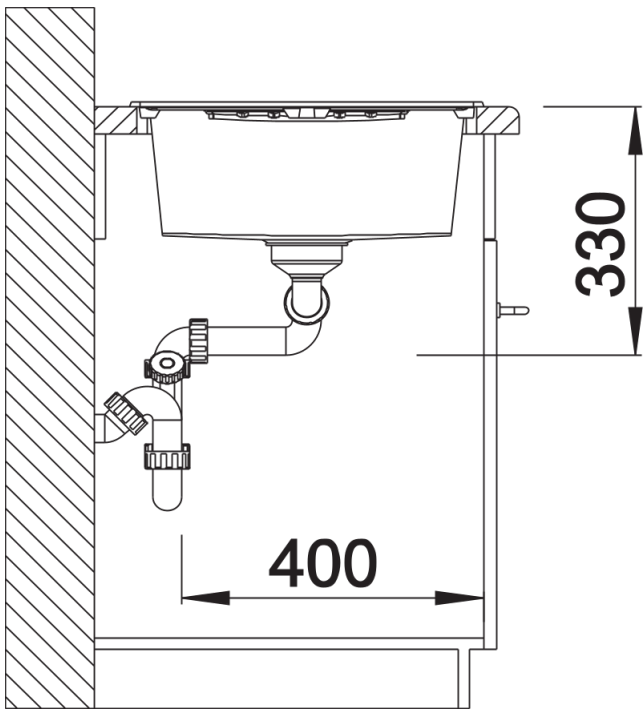
Top view



Cut-out



Front view



Side view