

## Product information sheet DINAS 45 S

Item no. 523374

### Benefits

---



- Harmonious, timeless design
- Roomy bowl
- Spacious draining area
- Can be installed reversibly
- 3 ½" basket strainer

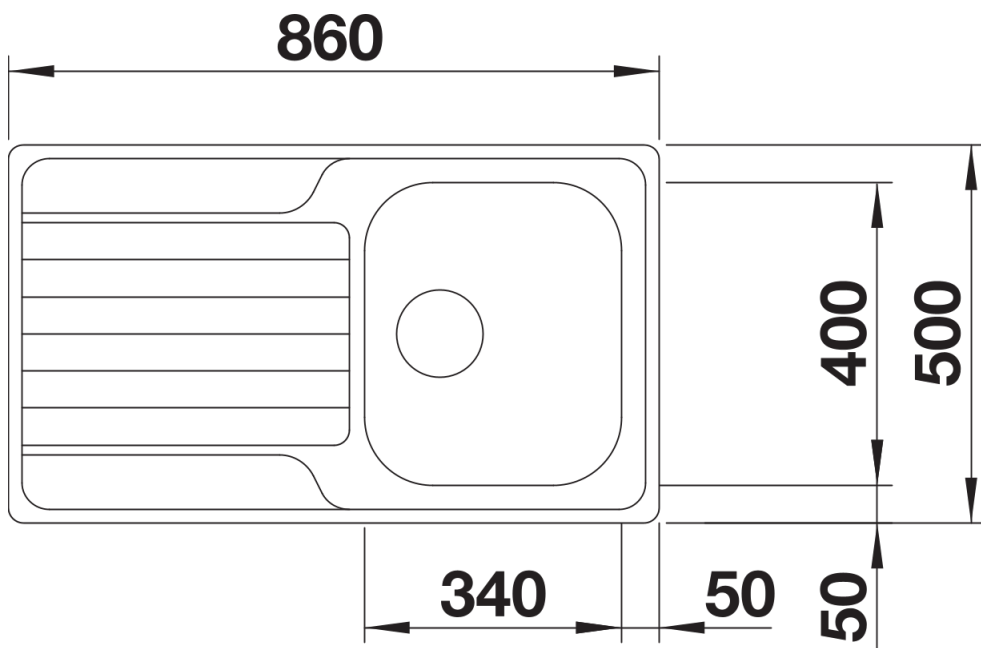
## Scope of supply

---

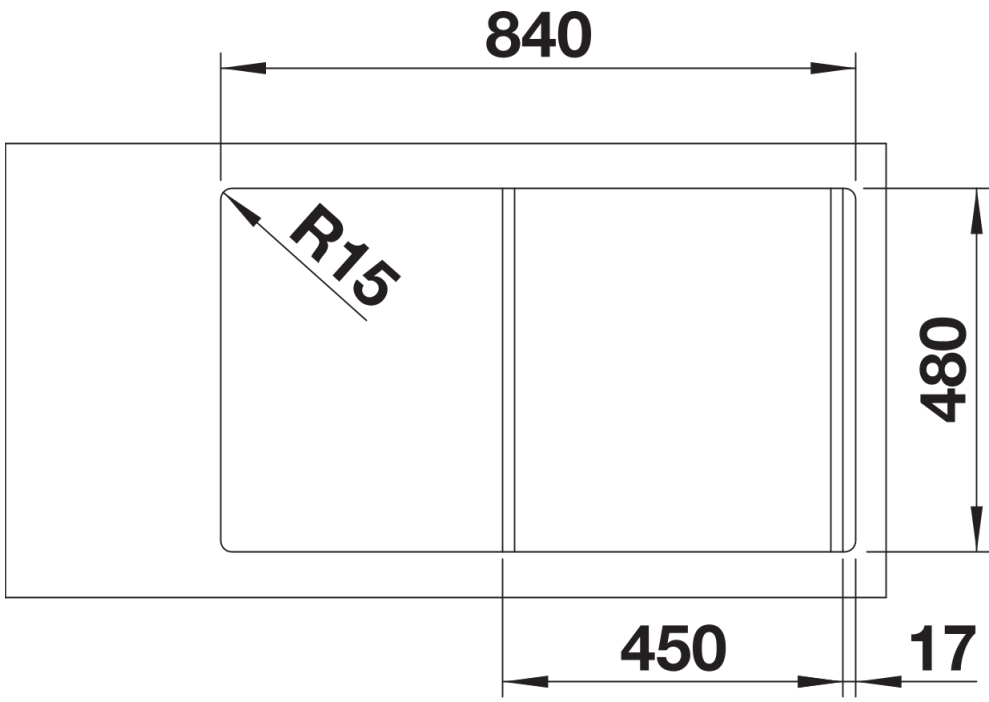
- waste kit with space-saving pipe
- 3 ½" basket strainer
- seal

## Details

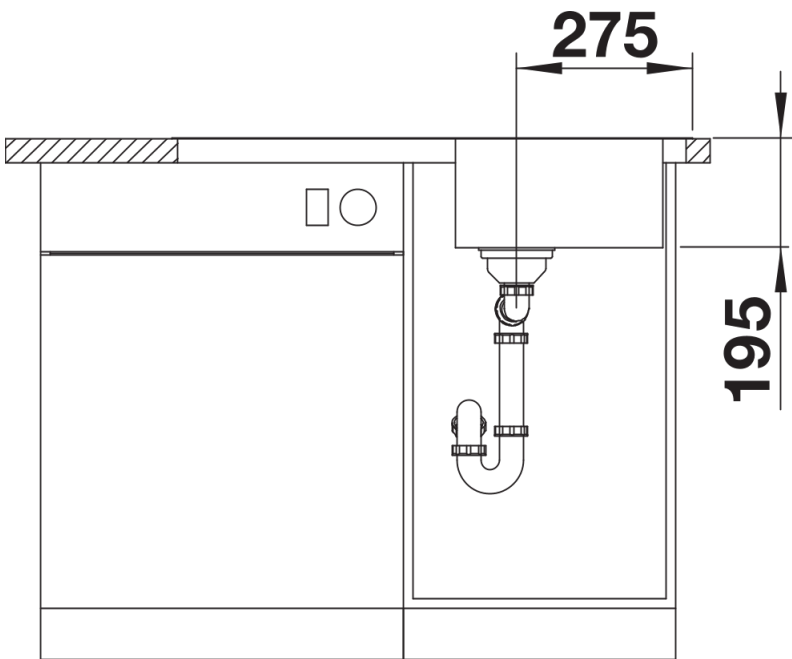
---



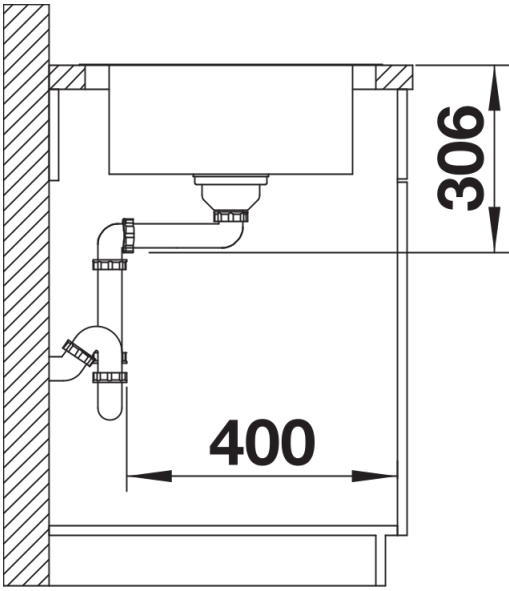
Top view



Cut-out



Front view



Side view